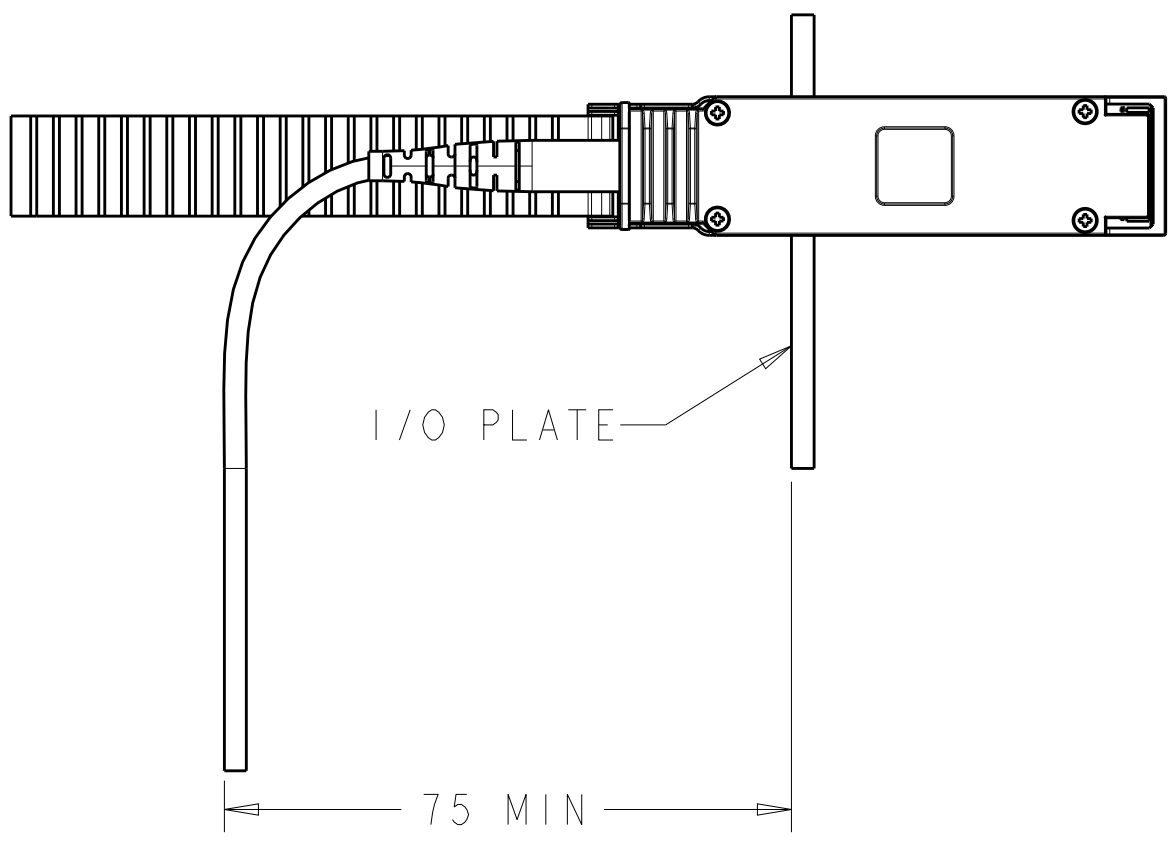
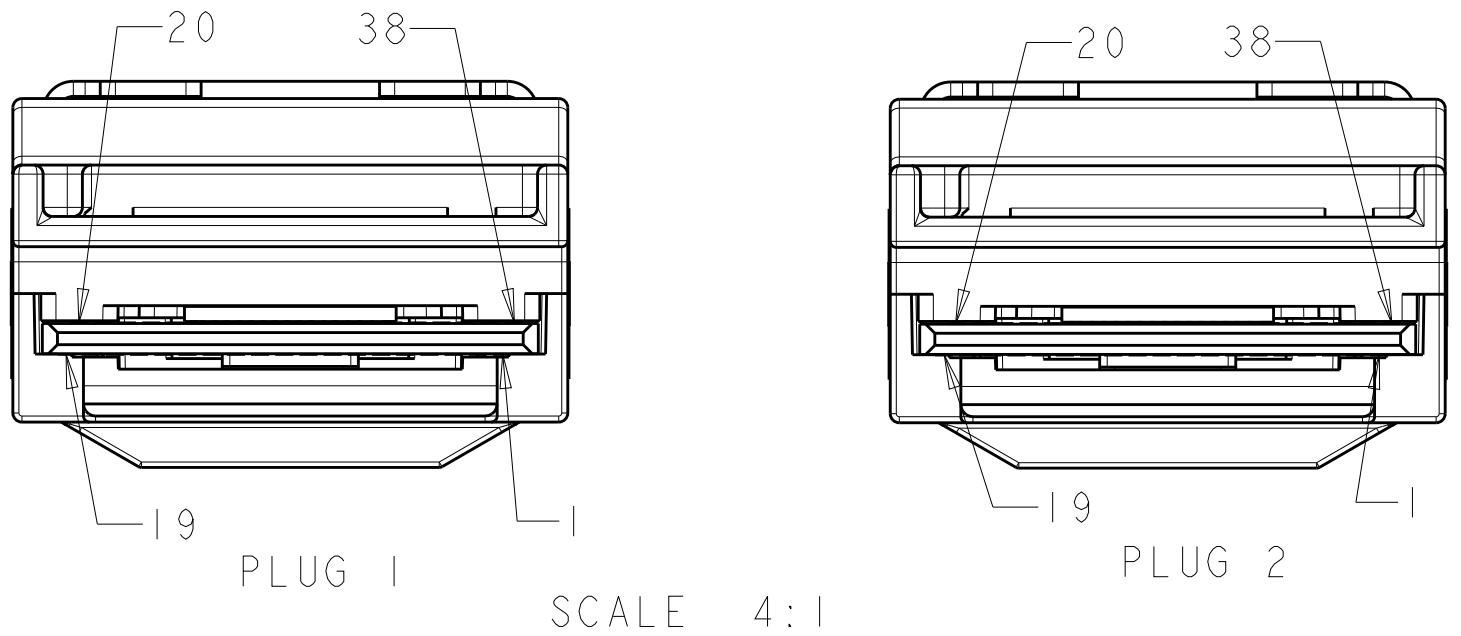
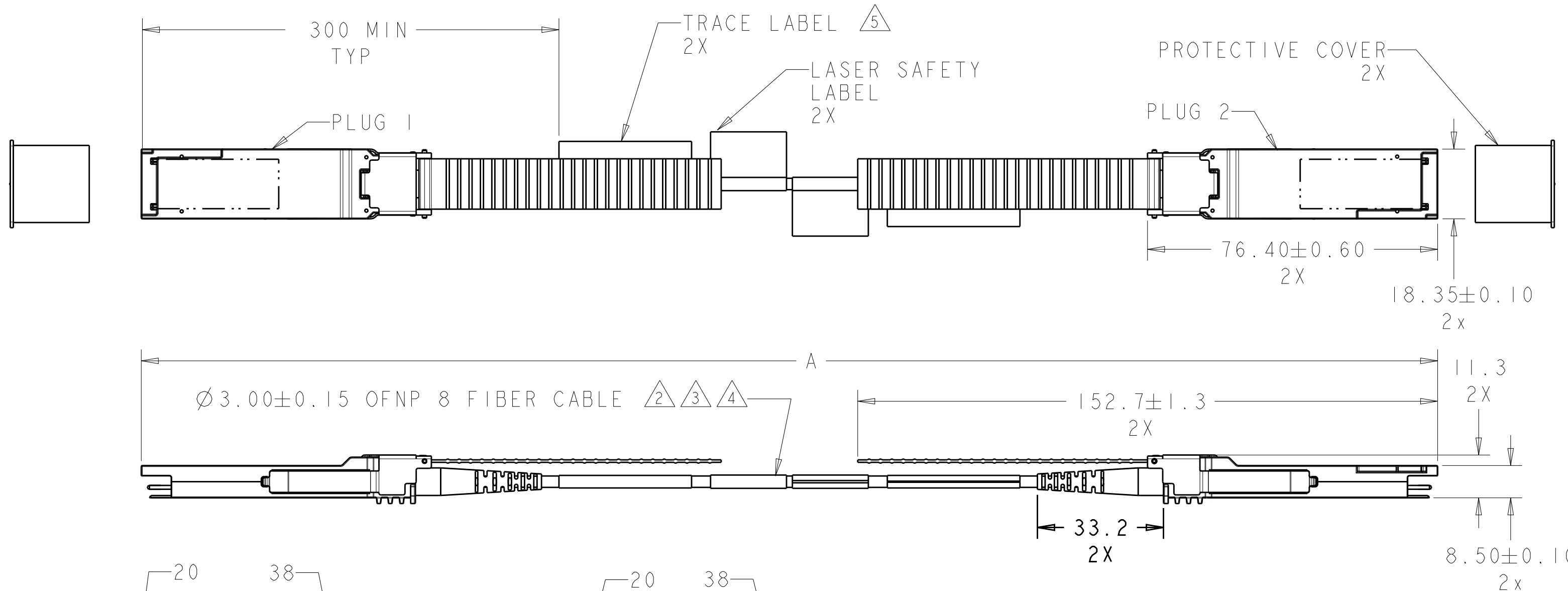


THIS DRAWING IS UNPUBLISHED. RELEASED FOR PUBLICATION 20
 © COPYRIGHT 20 BY - ALL RIGHTS RESERVED.

LOC	DIST	REVISIONS					
CD	00	P	LTR	DESCRIPTION	DATE	DWN	APVD
		B		ECR-14-013486	17SEP14	SW	RZ
		B2		REVISE NOTES	27OCT2015	BB	JC



- CONFORMS TO 108-2397 PRODUCT SPECIFICATION, 1-1773459-9 PRODUCT FLYER, INFINIBAND SPECIFICATION FOR QDR AND COMPATIBLE WITH QSFP SPECIFICATION.
- CAUTION! CUTTING CABLE MAY RESULT IN HAZARDOUS RADIATION EXPOSURE.
- CONFORMS TO GR-409-CORE INTERCONNECT CABLE REQUIREMENTS.
- STANDARD OM2 CABLE TO BE USED FOR LENGTHS UP TO AND INCLUDING 30 m, OM3 CABLE FOR LENGTHS OVER 30 m.
- SEE TRACE LABEL DETAIL.
- THESE SIGNALS ARE NOT CARRIED THOUGH TO THE OTHER END, SINCE EACH END OF THE CABLE IS POWERED SEPARATELY.
- CHASSIS GROUND IS ISOLATED FROM SIGNAL GROUND (GND) IN THE CABLE AND CONNECTOR.
- THE QSFP MODULES IMPLEMENT THE I²C INTERFACE DESCRIBED IN SFF-8436 REV 4.3.
- EEPROM PROGRAMMED PER 2123287_EEPROM_CD REV B2.
- MUST CONTAIN FIRMWARE REVISION 1.15

PART NUMBER	A/m	4
2123287-1	2	±0.15
2123287-2	3	±0.15
2123287-3	5	±0.15
2123287-4	10	±0.15
2123287-5	15	±0.15
2123287-6	20	±0.20
2123287-7	25	±0.25
2123287-8	30	±0.30
2123287-9	40	±0.40
1-2123287-0	50	±0.50
1-2123287-1	100	±1.00
1-2123287-2	1	±0.15
1-2123287-3	7	±0.15

THIS DRAWING IS A CONTROLLED DOCUMENT.

DIMENSIONS:	TOLERANCES UNLESS OTHERWISE SPECIFIED:	DWN	27APR2010	 TE Connectivity	
mm	0 PLC ±	CHK	L. CASTAGNA 27APR2010		
	1 PLC ±0.5	APVD	R. FAIR 27APR2010		
	2 PLC ±0.13	PRODUCT SPEC	R. D. MILLER 27APR2010		
	3 PLC ±0.013	APPLICATION SPEC		NAME	PARALIGHT CABLE ASS'Y, 4X10 QSFP
	4 PLC ±0.0001	WEIGHT		SIZE	A200779
MATERIAL	FINISH	CUSTOMER DRAWING		CAGE CODE	C-2123287
				DRAWING NO	G-2123287
				RESTRICTED TO	
				SCALE	1:1
				SHEET	1 OF 2
				REV	B2

THIS DRAWING IS UNPUBLISHED. RELEASED FOR PUBLICATION 20
 © COPYRIGHT 20 BY - ALL RIGHTS RESERVED.

LOC	DIST	REVISIONS					
CD	00	P	LTR	DESCRIPTION	DATE	DWN	APVD
		-		SEE SHEET 1	-	-	-

QSFP	
PIN NO.	SIGNAL
1	GND
2	Tx2n
3	Tx2p
4	GND
5	Tx4n
6	Tx4p
7	GND
8	ModSeIL
9	ResetL
10	Vcc Rx
11	SCL
12	SDA
13	GND
14	Rx3p
15	Rx3n
16	GND
17	Rx1p
18	Rx1n
19	GND
20	GND
21	Rx2n
22	Rx2p
23	GND
24	Rx4n
25	Rx4p
26	GND
27	ModPrsL
28	IntL
29	Vcc Tx
30	VccI
31	LPMode
32	GND
33	Tx3p
34	Tx3n
35	GND
36	Tx1p
37	Tx1n
38	GND

BAR CODE --

S/N: BBBMMYYDDNNNNN

-- SERIAL NUMBER BBBMMYYDDNNNNN
 BBB = BUILDING NUMBER
 MM = MANUFACTURING LOCATION
 YY = TWO DIGIT YEAR
 DDD = ORDINAL DATE
 NNNNN = FIVE DIGIT SERIAL NUMBER

TE P/N --
 TE-AC01- = PREFIX (LASER SAFETY ID)
 X-2123287-X = TE 171 PART NUMBER

TE P/N
 TE-AC01-X-2123287-X
 ASSEMBLED IN US OF
 US AND OTHER COMPONENTS

COUNTRY OF ORIGIN
 WHEN MANUFACTURED
 OUTSIDE THE US LABEL
 MUST READ 'MADE IN XXXXX'.
 -- WHERE XXXXX REPRESENTS
 THE COUNTRY OF MANUFACTURING



Length: XXXm
 REV.B2

-- LENGTH FROM PART NUMBER TABLE
 -- TE LOGO & CUSTOMER PRINT REV

TRACE LABEL INFORMATION
 NOTE: LASER SAFETY CERTIFICATION IS BASED ON THE PREFIX
 AND THAT TE IS THE ONLY MANUFACTURE VISIBLE ON
 THE LABEL.

THIS DRAWING IS A CONTROLLED DOCUMENT.		DWN L. CASTAGNA 27APR2010																
DIMENSIONS: mm		CHK R. FAIR 27APR2010																
TOLERANCES UNLESS OTHERWISE SPECIFIED:		APVD R.D. MILLER 27APR2010	NAME PARALIGHT CABLE ASS'Y, 4X10 QSFP															
<table border="1"> <tr><td>0 PLC</td><td>±-</td></tr> <tr><td>1 PLC</td><td>±0.5</td></tr> <tr><td>2 PLC</td><td>±0.13</td></tr> <tr><td>3 PLC</td><td>±0.013</td></tr> <tr><td>4 PLC</td><td>±0.0001</td></tr> <tr><td>ANGLES</td><td>±-</td></tr> <tr><td>FINISH</td><td>±-</td></tr> </table>		0 PLC	±-	1 PLC	±0.5	2 PLC	±0.13	3 PLC	±0.013	4 PLC	±0.0001	ANGLES	±-	FINISH	±-	PRODUCT SPEC -	SIZE A200779	DRAWING NO C-2123287
0 PLC	±-																	
1 PLC	±0.5																	
2 PLC	±0.13																	
3 PLC	±0.013																	
4 PLC	±0.0001																	
ANGLES	±-																	
FINISH	±-																	
MATERIAL	-	APPLICATION SPEC -	RESTRICTED TO -	SCALE 1:1														
CUSTOMER DRAWING		WEIGHT -	SHEET 2 OF 2 REV B2															